

This is a preliminary datasheet and is subject to change.11/30/2007

Features

- ✘ FCC Type Verified
- ✘ Full-Service Transmitter
- ✘ Rates at 500W P-SYNC
- ✘ Service Friendly
- ✘ Band Pass Filter Included
- ✘ Digital Service Convertible
- ✘ PAL B/G Available



General Description

The VTX500L is an integrated Low VHF Transmitter system for LPTV and Station LINK service. The transmitter is frequency agile and can be operated on any of the standard VHF TV channels with only minor changes and adjustments. The unit comes tuned to a specific channel when the order is placed at the factory. Frequency changing information is available upon request.

Specifications

Operating

Power Output..... 500W (Peak Sync)
 RF Output Impedance..... 50 Ohms
 Frequency Range..... 50-87 MHz
 Frequency Stability..... 1PPM or Better
 Harmonic and Spurious....-60dB or better ref to P-Sync
 Power Consumption..... 3KW Maximum
 AC Line Voltage..... 208-240 VAC Single Phase or 350-440
 VAC 50/60 Cycle 4-Wire Three Phase

Video Performance

Visual Frequency Response.....
 +/- 1dB across the TV channel -1.25 MHz to
 4.75 MHz relative to visual.
 Differential Gain..... <7%
 Differential Phase..... <10 Degrees
 ICPM..... <5 Degrees
 Low Frequency Linearity..... <15% Linearity
 Group Delay Meets FCC part 73 Rule
 Video Input Impedance 75 Ohms
 Video Signal to Noise Ratio <45% dB Un-Weighted

Video Input Level 1 Volt p-p
 Variation of Output Power <5%
 Regulation of Output Power <5% Typical

Audio Performance

Audio Response Meets FCC Pre-Emphasis Curve
 Distortion <1% THD
 FM Noise <50 dB or Better
 AM Noise <40 dB or Better
 AM Synchronous Noise <40 dB Typical

General

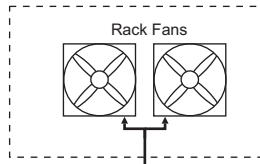
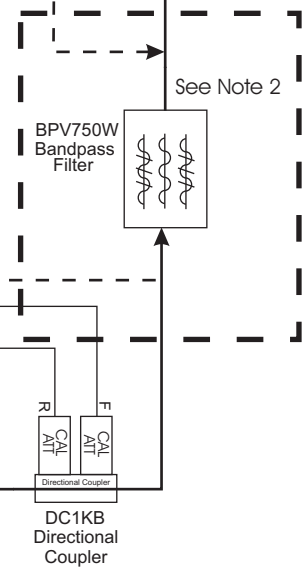
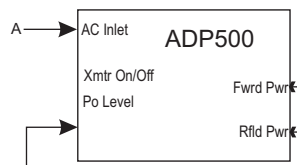
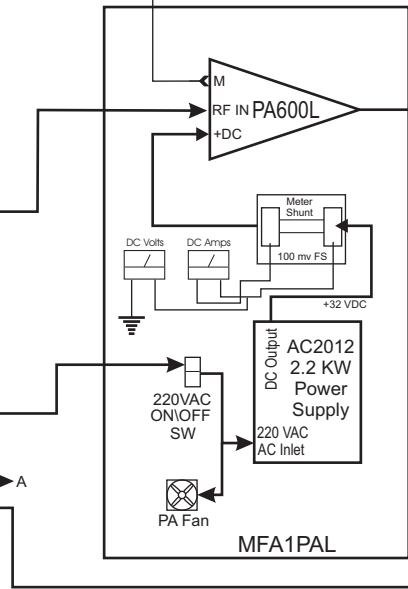
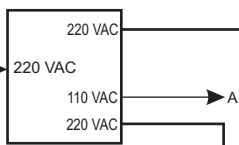
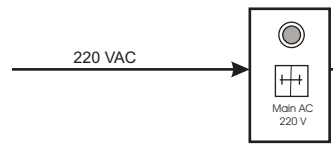
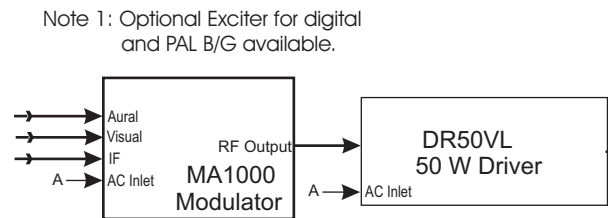
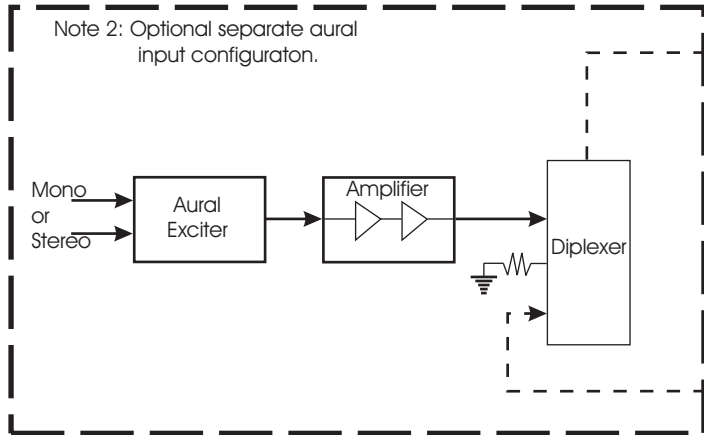
Operating Temperature
 -10 to + 35 Degrees C Ambient

Altitude

Unobstructed air flow to internal cooling system should be 2,000 CFM minimum. Up to 5,000 Ft. Without Additional Cooling. Additional fan provided at 10,000 Ft. elevation.

RF Output Connectors 7/8" EIA Flange
 Dimensions Overall Height 50 In
 Width 23 In.
 Depth 32 In.

This is a preliminary datasheet and is subject to change.11/30/2007



Pineapple Technology, Inc. Rocklin, CA			
UHF Transmitter NTSC VTX500L			
SIZE	FSM NO.	DWG NO.	REV
B			2
SCALE	FIT		SHEET 1 of 1