

This is a preliminary datasheet and is subject to change.11/30/2007

Features

- ✗ FCC Type Verified
- ✗ Full-Service Transmitter
- ✗ Rates at 500W P-SYNC
- ✗ Service Friendly
- ✗ Band Pass Filter Included
- ✗ Digital Service Convertible
- ✗ PAL B/G Available



General Description

The VTX500H is an integrated High VHF Transmitter system for LPTV and Station LINK service. The transmitter is frequency agile and can be operated on any of the standard VHF TV channels with only minor changes and adjustments. The unit comes tuned to a specific channel when the order is placed at the factory. Frequency changing information is available upon request.

Specifications

Operating

Power Output.....	500W (Peak Sync)
RF Output Impedance.....	50 Ohms
Frequency Range.....	174-230 MHz
Frequency Stability.....	1PPM or Better
Harmonic and Spurious....	-60dB or better ref to P-Sync
Power Consumption.....	3KW Maximum
AC Line Voltage.....	208-240 VAC Single Phase or 350-440 VAC 50/60 Cycle 4-Wire Three Phase

Video Performance

Visual Frequency Response.....	+/- 1dB across the TV channel -1.25 MHz to 4.75 MHz relative to visual.
Differential Gain.....	<7%
Differential Phase.....	<10 Degrees
ICPM.....	<5 Degrees
Low Frequency Linearity.....	<15% Linearity
Group Delay	Meets FCC part 73 Rule
Video Input Impedance	75 Ohms
Video Signal to Noise Ratio	<45% dB Un-Weighted

Video Input Level	1 Volt p-p
Variation of Output Power	<5%
Regulation of Output Power	<5% Typical

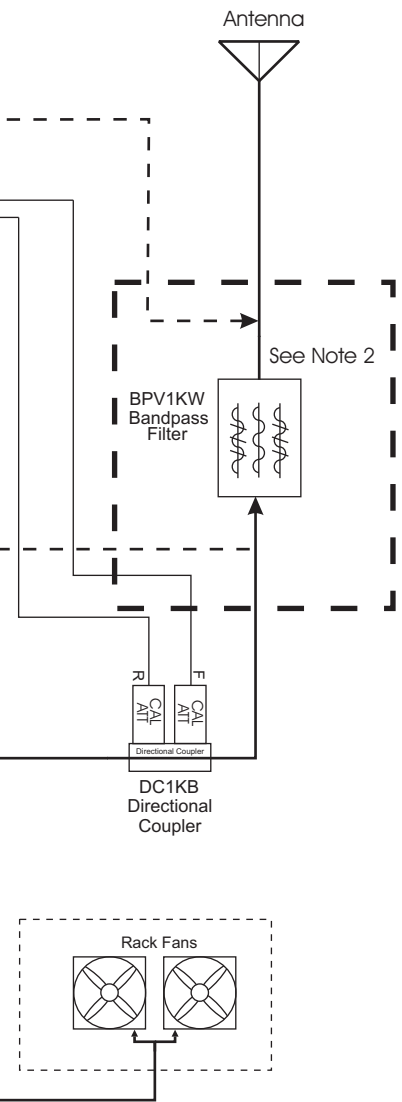
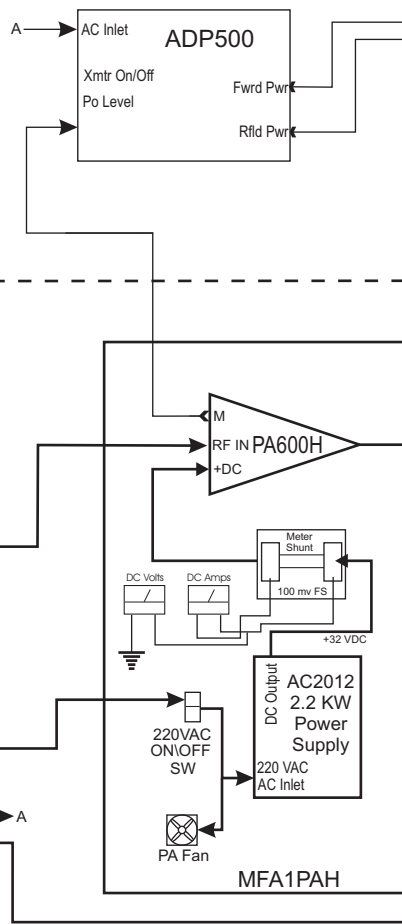
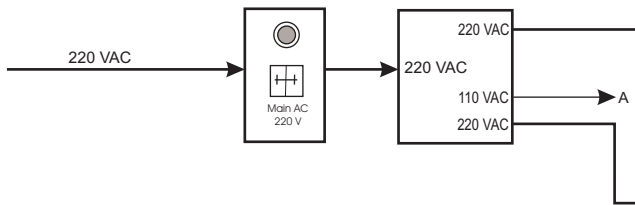
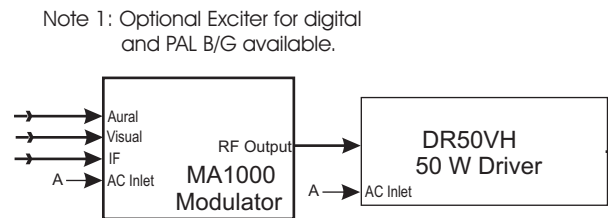
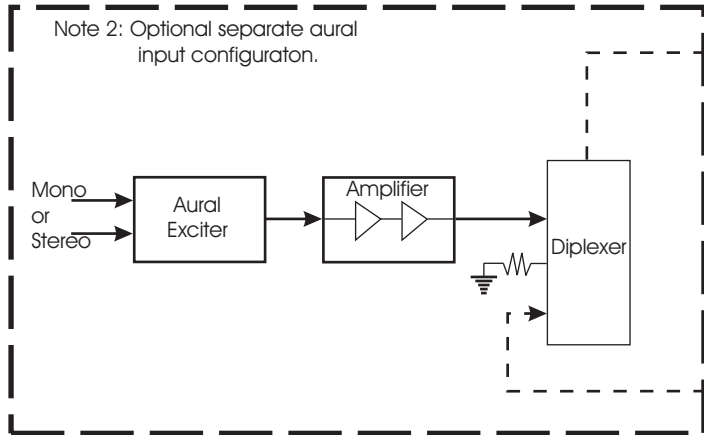
Audio Performance

Audio Response	Meets FCC Pre-Emphasis Curve
Distortion	<1% THD
FM Noise	<50 dB or Better
AM Noise	<40 dB or Better
AM Synchronous Noise	<40 dB Typical

General

Operating Temperature	-10 to + 35 Degrees C Ambient
Altitude	Unobstructed air flow to internal cooling system should be 2,000 CFM minimum. Up to 5,000 Ft. Without Additional Cooling. Additional fan provided at 10,000 Ft. elevation.
RF Output Connectors	7/8" EIA Flange
Dimensions Overall	Height 50 In. Width 23 In. Depth 32 In.

This is a preliminary datasheet and is subject to change.11/30/2007



Pineapple Technology, Inc. Rocklin, CA			
UHF Transmitter NTSC VTX500H			
SIZE	FSM NO.	DWG NO.	REV
B			2
SCALE	FIT		SHEET 1 of 1