

# VL50A

## LOW VHF TV BROADCAST AMPLIFIER 54 TO 88MHz

### FEATURES

- Broadband Tested 50-88 MHz
- Improved Return Loss <-10dB
- Excellent Linearity With Low Compression
- High Reliability Fet Technology
- SMT Input and Output Female Connectors
- Mounting Base Plate Standard Feature



The VL50A was designed as an IPA amplifier stage to be used between well isolated amplifiers such as the VL500A. Input return loss has been improved to add additional isolation when used as a stand alone amplifier in low power applications. An oversized mounting plate is attached to improve heat transfer to the heat sink, allowing higher power operation

### SPECIFICATIONS

#### MAXIMUM RATINGS

Supply Voltage .....	33 VDC
RF Input Power .....	3 W RMS
Overdrive for 1 Second .....	5 W RMS
Base Plate Temp .....	75 deg C
ICQ Each Device .....	1.5 Amp

#### OPERATING CONDITIONS

Supply Voltage .....	32 VDC
Base Plate Temp .....	65 deg C
Power Output .....	50 W Pk
ICQ Total .....	1 Amps
Operating Class .....	AB (Hard)

#### ELECTRICAL SPECIFICATIONS

Frequency Range .....	50-88 MHz
Power Gain .....	14 dB Min.
Gain Ripple .....	1.5 dB

Efficiency .....	30%
Operating Load Mismatch .....	1.5:1
Compressions @ 50W RMS .....	<0.2 dB

#### MECHANICAL SPECIFICATIONS

##### Dimensions: Inches (Millimeters)

Height .....	1.25 (25.24)
Width .....	3.05 (78)

##### Hardware

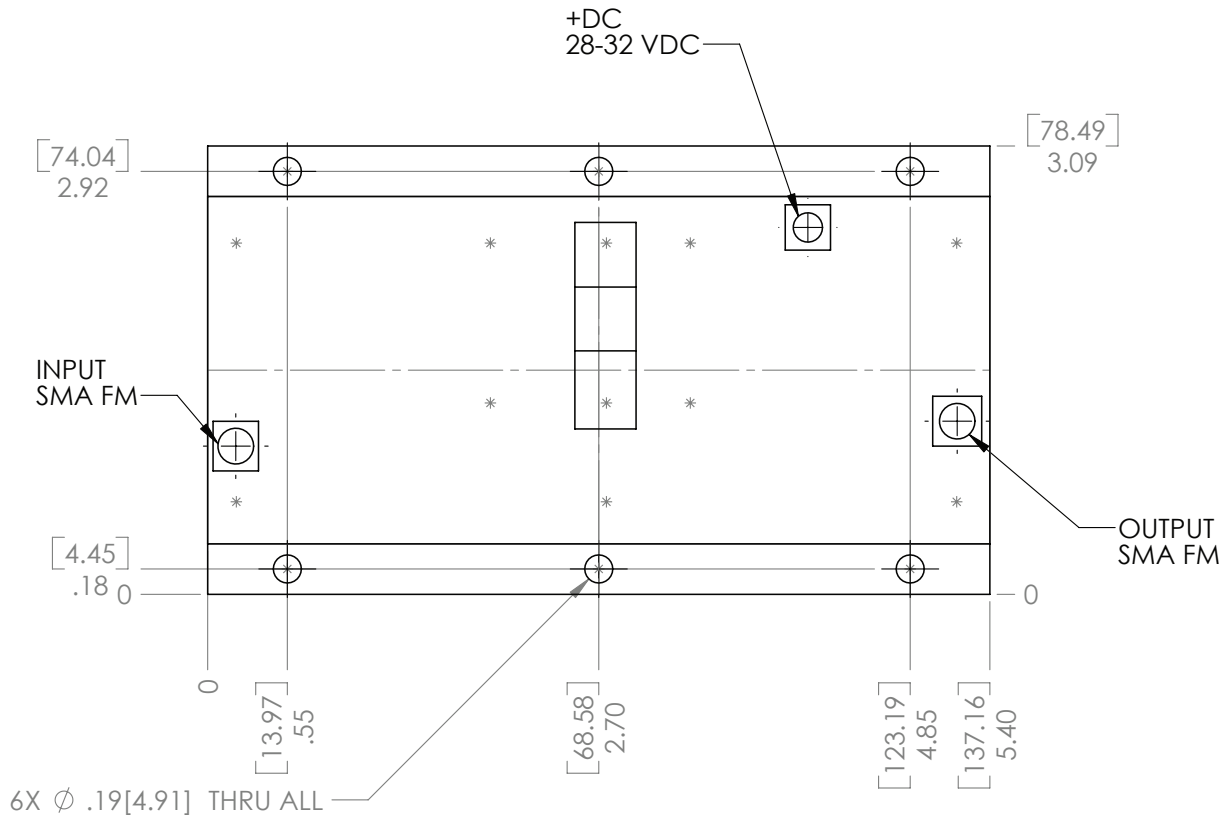
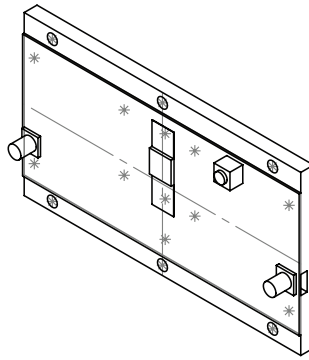
Weight .....	<1 Lb.
RF Connector Input .....	SMA
RF Connector Output .....	SMA
DC Connectors .....	PWR Term



**PINEAPPLE TECHNOLOGY, INC.**

[www.ptibroadcast.com](http://www.ptibroadcast.com)

# VL50A DRAWING



**PINEAPPLE TECHNOLOGY, INC.**

Web site: [www.ptibroadcast.com](http://www.ptibroadcast.com)

4231 Pacific Street, Suite 27, Rocklin, CA 95677

(916) 652-1116 . Fax: (916) 652-1161  
 U.S. Toll-free (888) 888-8229

Information contained herein is subject to change without notice.  
 © 2009 Pineapple Technology, Inc. All Rights Reserved.