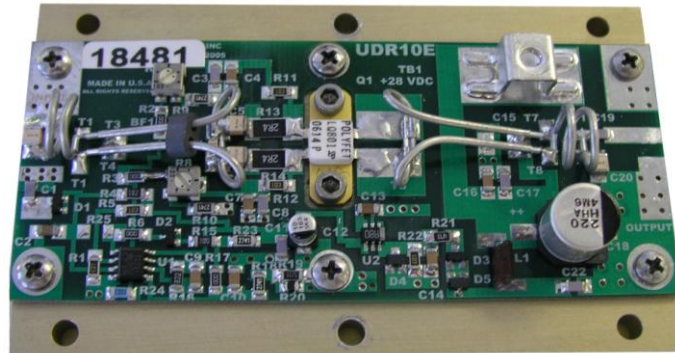




This is a preliminary data sheet and is subject to change.4/13/2007

## Features

- ✗ Class A Linear Amplifier
- ✗ Broadband 470-810 MHz
- ✗ 10 Watts P-SYNC Rating



## General Description

This UDR10A amplifier was designed to be used as an intermediate stage in high power and high gain amplifiers. As a single device amplifier, isolated sources must be provided for both input and output circuits. Input and output SMA cables are available for connection to other amplifiers.

## Specifications

### Maximum Ratings

Supply Voltage.....	32 VCD
RF Input Power.....	1 W
Overdrive for 1 Second.....	2 W
Base Plate Temp.....	75 Deg C
ICQ Each Device.....	1.4 AMPS

### Operating Condition

Supply Voltage.....	28-32 VDC
Base Plate Temperature.....	75 Deg C
Power Output.....	10 W P-SYNC
ICQ Total.....	1.4 AMPS
Operating Class.....	A

### Electrical Specifications

Frequency Range.....	470-810 MHz
Power Gain.....	13 dB typ
Gain Ripple.....	1.2 dB typ
Efficiency.....	25%
Operating Load Mismatch.....	2:01

### Electrical Specifications

Sync Compression.....	<2 IRE
-----------------------	--------

### Mechanical Specifications

#### Dimensions: Inches [Millimeters]

Height.....	1	[25]
Width.....	2.4	[60]
Length.....	4	[100]

#### Hardware

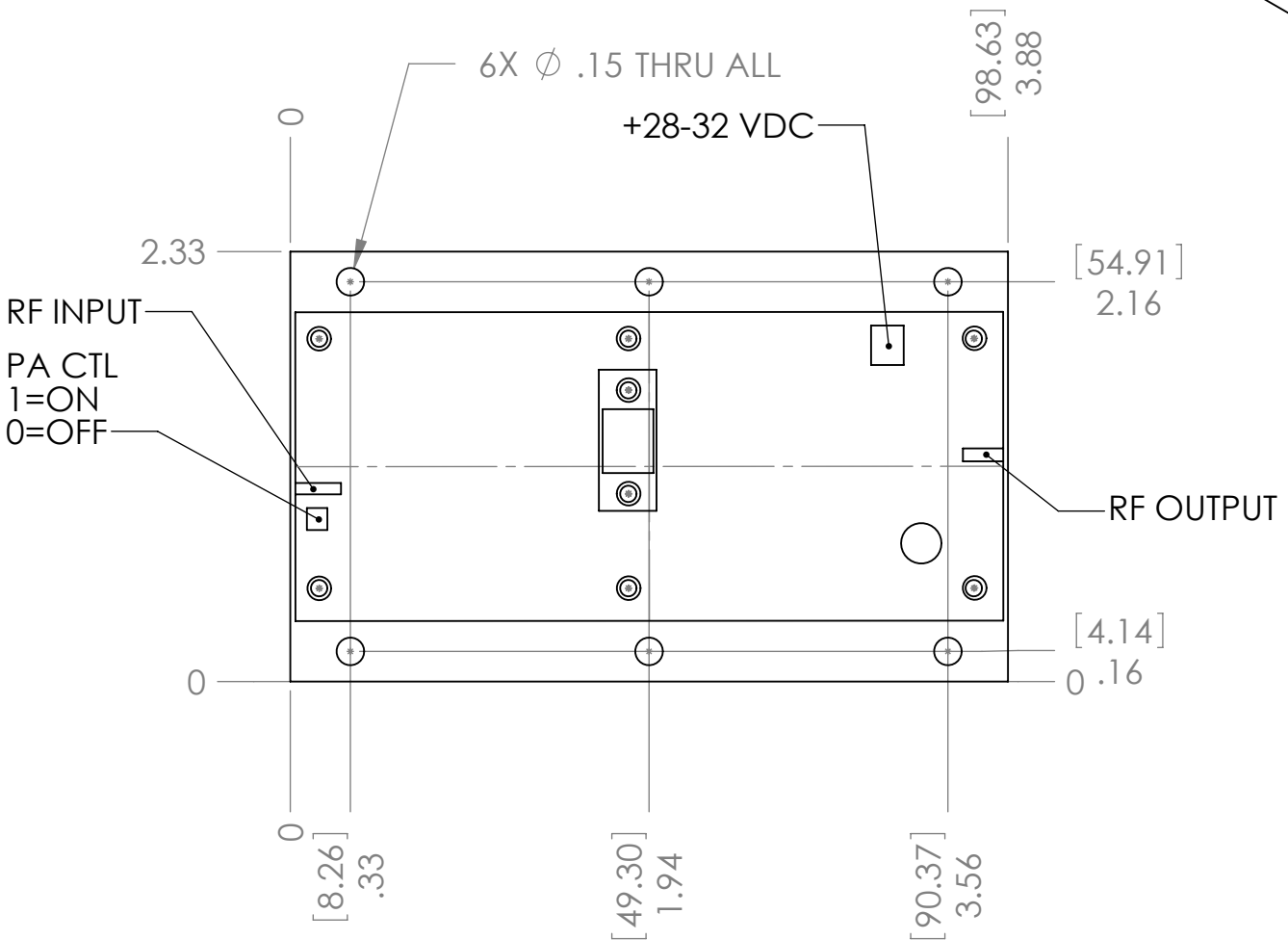
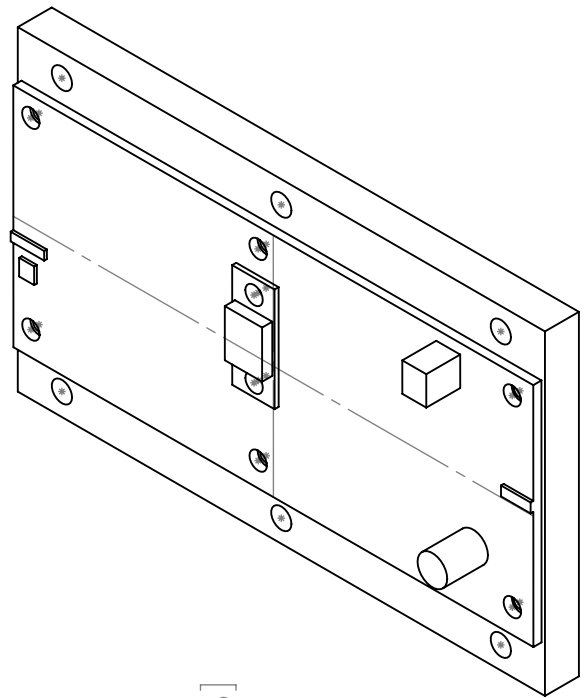
Mounting.....	Base Plate
Weight.....	0.5 LBS
RF Connector Input.....	PCB MTG
RF Connector Output.....	PCB MTG
DC Connectors.....	PWR TAP

#### Cooling Requirements

Heat sink with cooling to limit base plate to 72 Deg C.

ASSEMBLY NOTES:

1. BASE PLATE IS 0.125 TH
2. OVERALL HEIGHT IS 1 IN [24]
3. MTG SCREWS #6 OR EQ
4. USE ALL MTG SCREWS SECURELY
5. USE THERMAL COMPOUND BETWEEN PLATE AND HEAT SINK.
6. HEAT SINK MUST LIMIT PLATE TEMP TO 65 DEG C MAXIMUM UNDER WORSE CASE OPERATING CONDITIONS



<p><b>PROPRIETARY AND CONFIDENTIAL</b></p> <p>THE INFORMATION CONTAINED IN THIS DRAWING IS THE SOLE PROPERTY OF &lt;INSERT COMPANY NAME HERE&gt;. ANY REPRODUCTION IN PART OR AS A WHOLE WITHOUT THE WRITTEN PERMISSION OF &lt;INSERT COMPANY NAME HERE&gt; IS PROHIBITED.</p>			<p>DIMENSIONS ARE IN INCHES TOLERANCES: FRACTIONAL <math>\pm</math> ANGULAR: MACH <math>\pm</math> BEND <math>\pm</math> TWO PLACE DECIMAL <math>\pm</math> THREE PLACE DECIMAL <math>\pm</math></p>		NAME	DATE	<p>Pineapple Technology Inc</p> <p><b>UDR10A</b></p> <p><b>MTG INFO</b></p>	
					DRAWN			
					CHECKED			
					ENG APPR.			
				MFG APPR.				
				Q.A.				
				COMMENTS:				
	NEXT ASSY	USED ON	FINISH					
	APPLICATION		DO NOT SCALE DRAWING					
					SIZE	DWG. NO.	REV.	
					<b>A</b>	UDR10A ASSM		
					SCALE: 1:1	WEIGHT:	SHEET 1 OF 1	