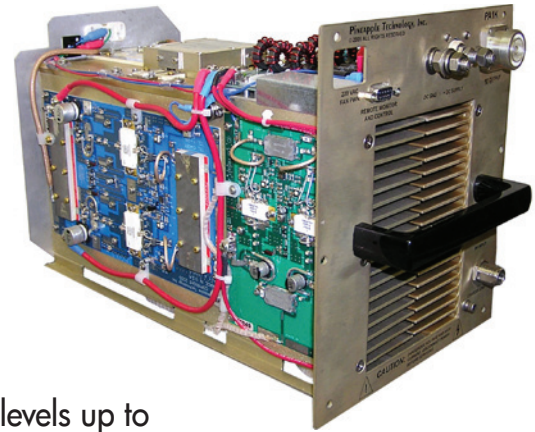


PA1KU-50 AMPLIFIER

8-vsbs ++ DVB-T ++ DVB-H
THE AMPLIFIER TECHNOLOGY
FOR DIGITAL TRANSMISSION

FEATURES

- Integrated 470-810 MHz Assembly
- Rated at 600 Watts RMS DIGITAL
- LDMOS Device Technology
- Fully Tested for Applicable Band Segments
- Remote Interface via DB-9 Connector
- Output Load Protected via Built-in ISOLATOR



The PA1KU-50 Power Amplifier is capable of output power levels up to 600 Watts RMS in the UHF TV frequency band (470-800 MHz) and 33 dB of POWER GAIN. The mechanical design is compatible with the MFA2PAU assembly which can be purchased separately from Pineapple Technology, Inc. With an internal isolator and over-temperature protection, this amplifier is well suited for use with high-power transmitters in analog or digital services.

SPECIFICATIONS

MAXIMUM RATINGS

Supply Voltage.....	52 VDC
RF Input Power	1.0W RMS MAXIMUM
Base Plate Temp	75 degrees C

OPERATING CONDITIONS

Supply Voltage.....	50 VDC
Base Plate Temp	70 degrees C
Power Output	600W RMS
ICQ Total.....	3.8 Amps
Operating Class	AB (HARD)

ELECTRICAL

Frequency Range.....	*470-810 MHz
Power Gain.....	33 dB Typical
Gain Ripple	<1 dB/10 MHz
Efficiency	35% Typical 28% Minimum
Operating Load Mismatch	Infinite all phases
Digital shoulders un-filtered	<-30 dB at +/- 3.25 MHz

MECHANICAL

Dimensions: Inches (Millimeters)

Height	10 (250)
Width.....	8.75 (220)
Length	16 (410)

Hardware

Mounting.....	**Chassis Enclosure
Weight	<37 lbs.
RF Connector Input	SMA
RF Connector Output	7/16 DIN
DC Connectors.....	2 EA #10 AWG WIRING

Cooling Requirements

330 to 500 CFM for most applications based on operational Conditions providing maximum device temperature of 130 degrees Celsius is not exceeded.

*Specify desired channel for circulator selection

**Custom made chassis available



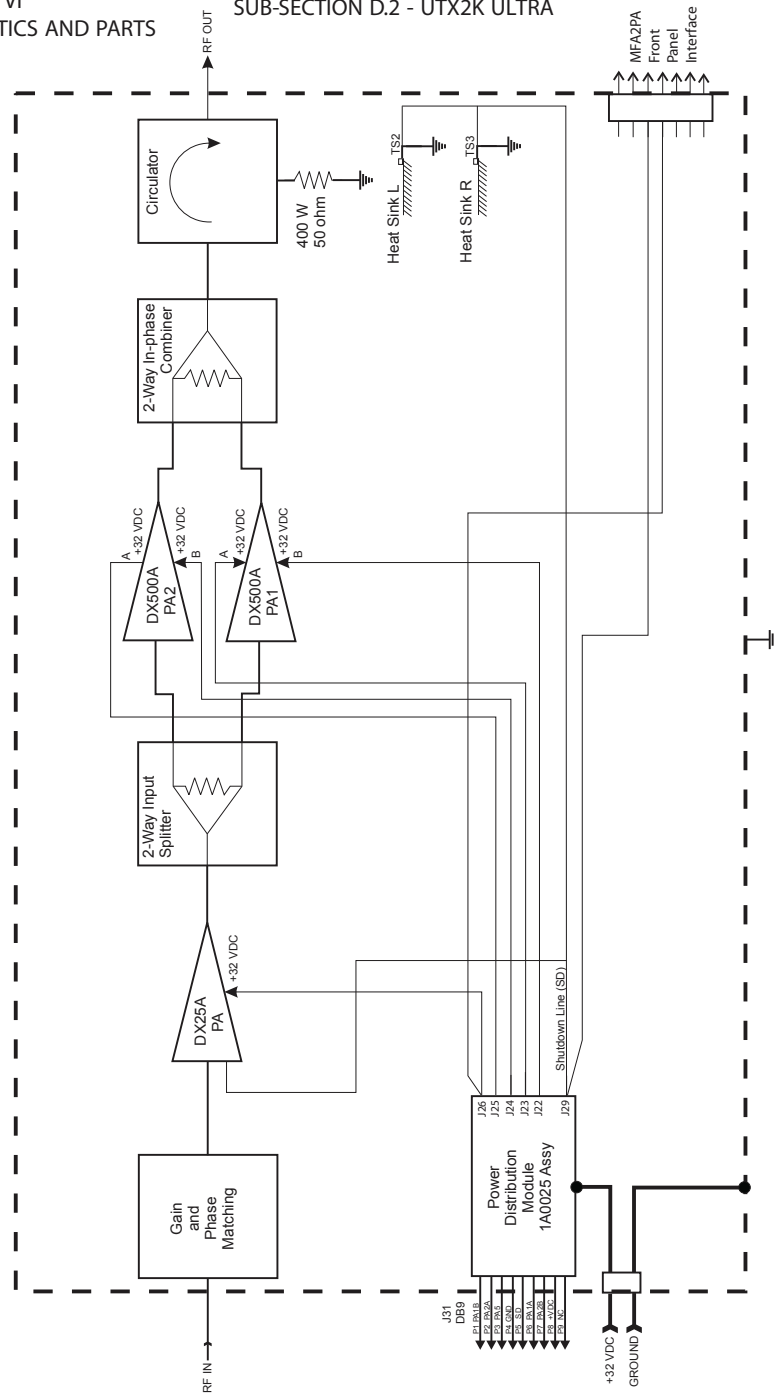
PINEAPPLE TECHNOLOGY, INC.

www.ptibroadcast.com

PA1KU-50 BLOCK DIAGRAM

SECTION VI
SCHEMATICS AND PARTS

SUB-SECTION D.2 - UTX2K ULTRA



PINEAPPLE TECHNOLOGY, INC.

Web site: www.ptibroadcast.com

4231 Pacific Street, Suite 27, Rocklin, CA 95677

(916) 652-1116 . Fax: (916) 652-1161
U.S. Toll-free (888) 888-8229

Information contained herein is subject to change without notice.
© 2009 Pineapple Technology, Inc. All Rights Reserved.